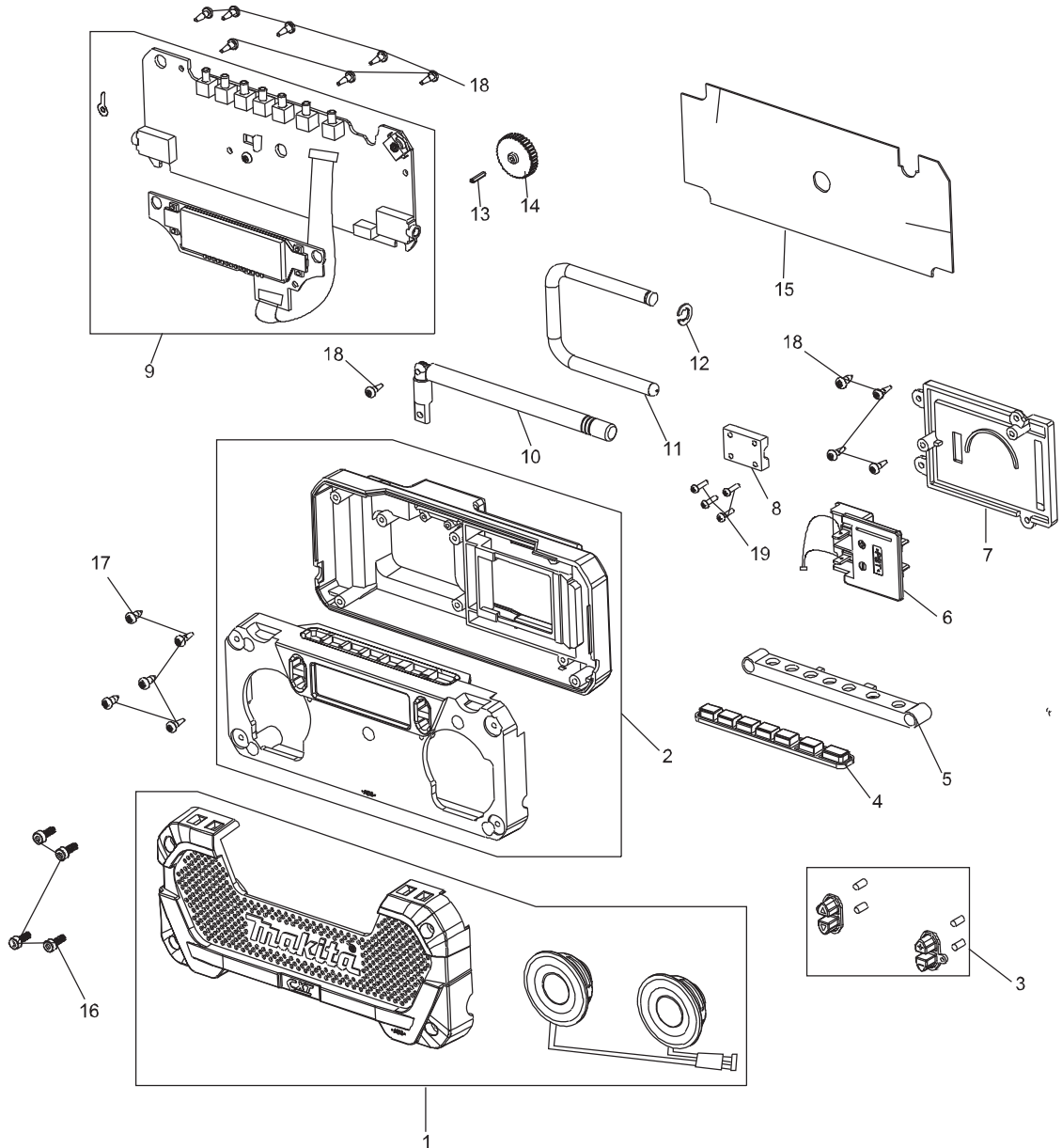




06 - 2016
MR052
12V Max CXT Radio



Item Type	Part No	Description	Qty	Unit
1	GM00001608	FRONT COVER ASSY	1	PC.
2	GM00001609	FRONT, BACK HOUSING ASSY	1	PC.
3	GM00001610	FUNCTION BUTTON ASSY	1	PC.
4	GM00001611	UPPER FUNCTION BUTTON	1	PC.
5	GM00001612	SWITCH HOLDER C	1	PC.
6	GM00001613	BATTERY TERMINAL ASSY	1	PC.
7	GM00001614	TERMINAL FIX PLATE	1	PC.
8	GM00001615	HOOK HOLDER	1	PC.
9	GM00001627	MAIN LCD PCBA ASSY	1	PC.
10	GM00001617	RUBBER FM ANTENNA	1	PC.
11	GM00001618	METAL HOOK	1	PC.
12	GM00001619	E RING	1	PC.
13	GM00001620	TUNING KNOB SHAFT	1	PC.
14	GM00001621	TUNING KNOB	1	PC.
15	GM00001622	SOUND SPONGE	1	PC.
16	GM00001623	SCREW 3x8	4	PC.
17	GM00001024	SCREW 3X12	5	PC.
18	GM00001395	PH SCREW 2.6X8	12	PC.
19	GM00001624	SCREW 2x8	4	PC.
<u>ACCESSORIES</u> - See Catalogue or visit www.makita.ca for more accessories -				
A01	DC10SB	RAPID CHARGER DC10SB	1	PC.
A02	----	12V MAX LI-ION BATTERY, SLIDE TYPE	1	PC.
A03	GM00001245	SHOULDER BAND	1	PC.